



Energy Division

Raychem screened, separable  
coupling connection system RSTI-CC-68  
800 A up to 42 kV

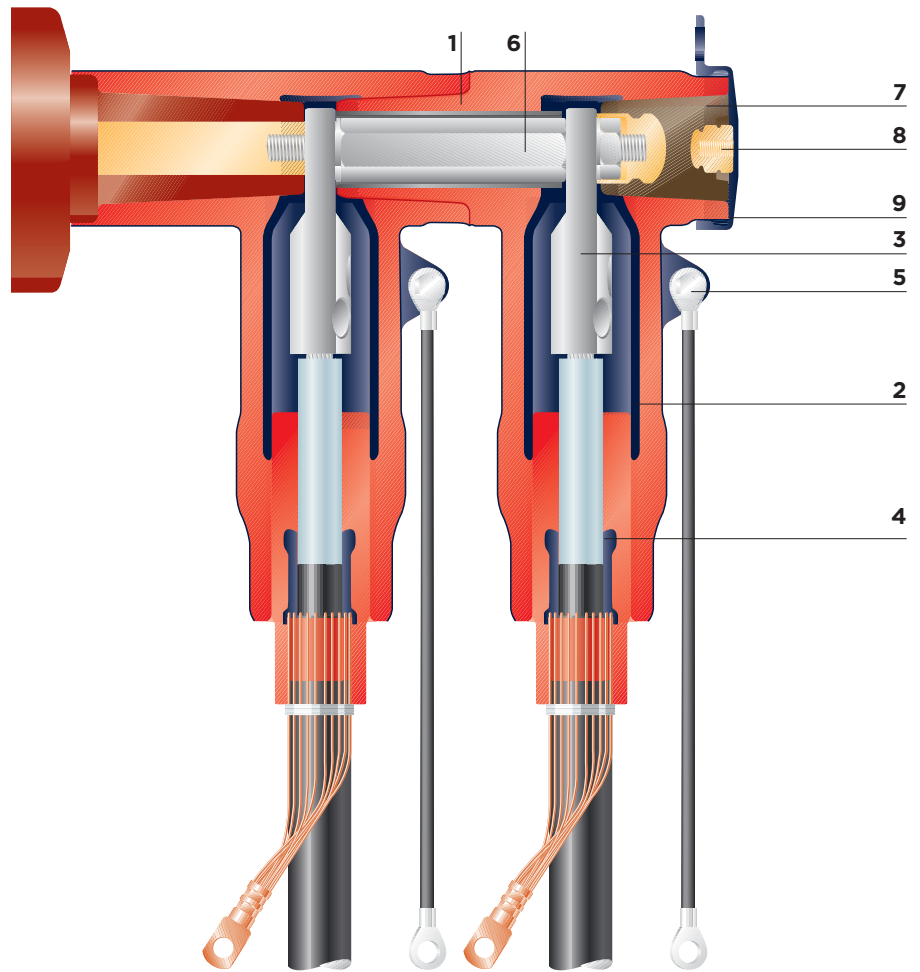
# Raychem screened, separable coupling connection system RSTI-CC-68

## 800 A up to 42 kV

### Features

- The screened coupling connector is designed to mate with the rear end of the base screened connector system RSTI designed for 42 kV.
- The insulation of the coupling connector is made of a highly modified silicone rubber characterised by high tracking resistance, elongation at break and non-flammability.
- A thin-walled screen is permanently bonded onto the insulation and protects the connection system against accidental contact.
- The screened coupling connector need not be removed for overshooth testing.
- The combination of screened connector and coupling connector exceeds CENELEC HD 629.1 S1 requirements, which include BS, VDE and other international specifications.
- Design of combination fits 630 A and 1250 A bushings (Interface "C<sub>1</sub>" and "C<sub>2</sub>") as specified by EN 50180 and EN 50181.
- The compact design supports the use of double "T" connections inside standard terminal boxes.
- The wide application range covers cable cross-sections from 35 to 300 mm<sup>2</sup>.
- Conductor connection with mechanical or DIN lugs.
- Easily accessible rear plug with capacitive test point.
- Few accessories required for system test and earth connection.
- Complete kit including lugs for easier installation and storage.

### Design and construction



#### 1 Screened body

A thin-walled conductive outer screen is permanently bonded to the silicone rubber insulating material of the body.

#### 2 Inner screen

A conductive inner layer, as a faraday cage around the compression or mechanical lug, prevents corona at rated voltage.

#### 3 Compression or mechanical lugs

Specially designed DIN compression lugs, as well as tinned, mechanical lugs with shear bolts for connecting either aluminium or copper conductor cables.

#### 4 Stress cone adapter

Relieves electrical stress at the point where the cable screen is cut. The insulated section, extending beyond the wire shielding, provides a convenient point for overshooth testing.

#### 5 Earthing eye and ground lead

Provides a connection point for earthing the screen.

#### 6 Threaded pin assembly

A threaded pin assembly together with a spring washer and hex nut ensure high-performance electrical and mechanical contact with the bushing.

#### 7 Rear plug with test point

Removable rear plug with capacitive test point.

#### 8 Test point

The test point is used to determine whether the circuit is energised; alternatively it can be used for phasing.

#### 9 Conductive end cap

Electrical screen and protection of the rear end of the separable connector.

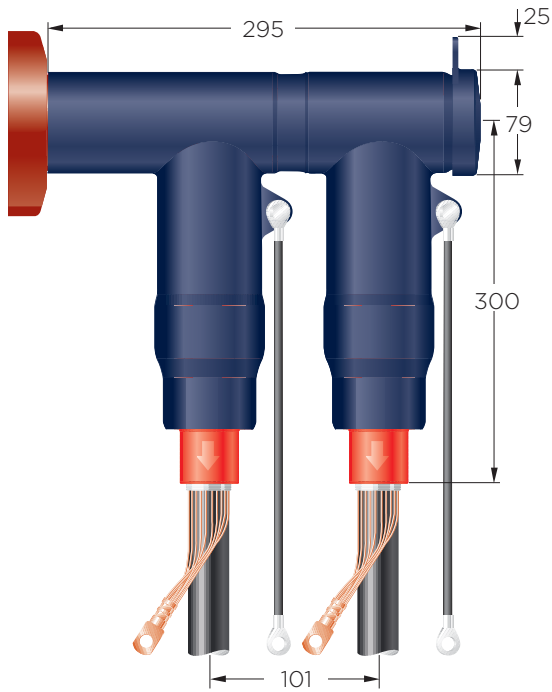
## Applications

### Double connection

Items required for 3 phases:

1 x RSTI-68xx (Basic kit)

1 x RSTI-CC-68xx (Coupling connector kit)



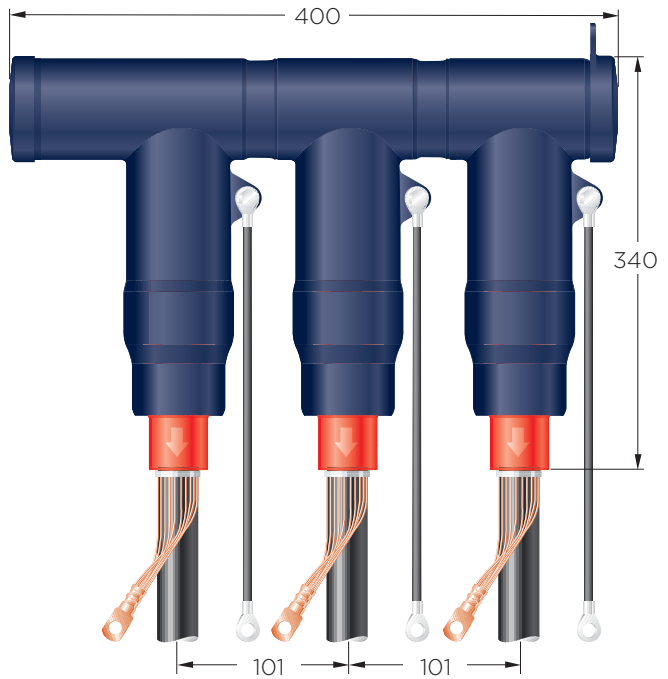
### Single core branch off

Items required for 3 phases:

1 x RSTI-68xx (Basic kit)

1 x RSTI-68TP (Terminating plug kit)

2 x RSTI-CC-68xx (Coupling connector kit)



## Accessories

### Test rod

Ref. no.: RSTI-68TR; Length: 310 mm

RSTI-68TRL; Length: 460 mm

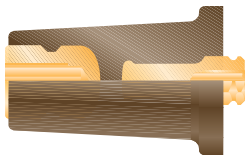
RSTI-68TRA; Kit includes

2 short and 1 long testrod



### Terminating plug

Ref. no.: RSTI-68TP



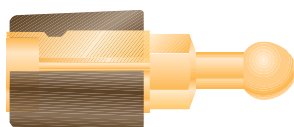
### Earthing adapter

Ref. no.: RSTI-68EA20;

Ball diameter: 20 mm

RSTI-68EA25;

Ball diameter: 25 mm



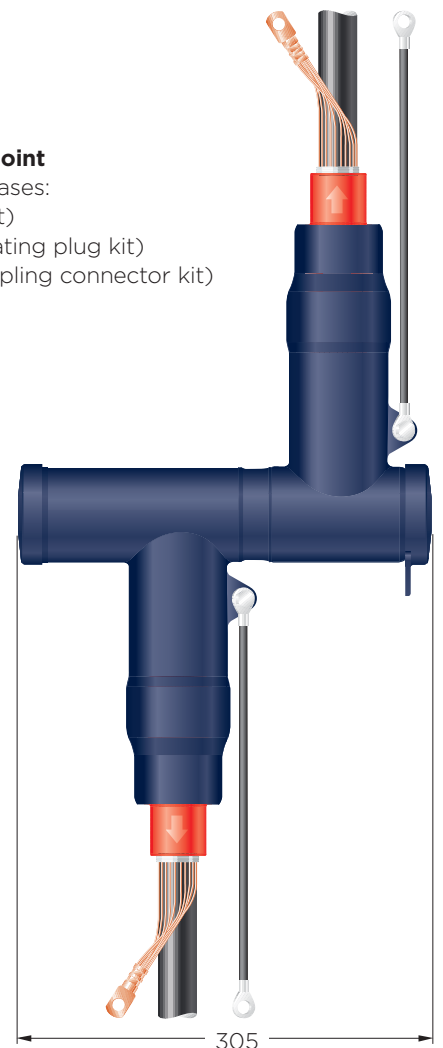
### Disconnectable inline joint

Items required for 3 phases:

1 x RSTI-68xx (Basic kit)

1 x RSTI-68TP (Terminating plug kit)

1 x RSTI-CC-68xx (Coupling connector kit)



### Note:

All applications as shown in the brochure need to have a mechanical support, based on the requirements for dynamic short circuit.

# Raychem screened, separable coupling connection system RSTI-CC-68 800 A up to 42 kV

<b>Technical data</b>	Cable insulation diameter range	22.4 - 42.0 mm
	Connector cross-section range	35 - 300 mm <sup>2</sup>
	Maximum system voltage	42 kV
	Continuous current rating	800 A
	Basic impulse level	200 kV
	Partial discharge at 2 U <sub>0</sub>	< 2 pC
	AC voltage withstand, 5 min	93.5 kV
	DC voltage withstand, 15 min	125 kV
	Thermal short circuit, 1 s	55 kA
	Thermal short circuit, 3 s	32 kA
	Dynamic short circuit	125 kA

The adapters meet the international CENELEC HD 629.1 S2 specification

## Selection table

### Screened separable coupling connection system 36 kV and 42 kV with DIN compression lugs

Cross section mm <sup>2</sup>	Diameter Core insulation		Reference number Conductor material Al	Cu
	min mm	max mm		
50	22.4	35.5	RSTI-CC-6811	RSTI-CC-6821
70	22.4	35.5	RSTI-CC-6812	RSTI-CC-6822
95	22.4	35.5	RSTI-CC-6813	RSTI-CC-6823
120	22.4	35.5	RSTI-CC-6814	RSTI-CC-6824
150	28.9	42.0	RSTI-CC-6815	RSTI-CC-6825
185	28.9	42.0	RSTI-CC-6816	RSTI-CC-6826
240	28.9	42.0	RSTI-CC-6817	RSTI-CC-6827
300	28.9	42.0	RSTI-CC-6818	RSTI-CC-6828

Kits including deep indent compression lugs on request.  
Contact your local sales representative.

### Screened separable coupling connection system 36 kV and 42 kV with mechanical lugs and shear bolts

Cross section mm <sup>2</sup>	Diameter Core insulation		Reference number Conductor material Al or Cu
	min mm	max mm	
35-95	22.4	35.5	RSTI-CC-6851
95-120	22.4	35.5	RSTI-CC-6852
150-240	28.9	42.0	RSTI-CC-6853
300	28.9	42.0	RSTI-CC-6855

Kits for 3-core applications on request.  
Contact your local sales representative.

While Tyco Electronics and its affiliates referenced herein have made every reasonable effort to ensure the accuracy of the information contained in this catalog, Tyco Electronics cannot assure that this information is error free. For this reason, Tyco Electronics does not make any representation or offer any guarantee that such information is accurate, correct, reliable or current. Tyco Electronics reserves the right to make any adjustments to the information at any time. Tyco Electronics expressly disclaims any implied warranty regarding the information contained herein, including, but not limited to, the implied warranties of merchantability or fitness for a particular purpose. Tyco Electronics' only obligations are those stated in Tyco Electronics' Standard Terms and Conditions of Sale. Tyco Electronics will in no case be liable for any incidental, indirect or consequential damages arising from or in connection with, including, but not limited to, the sale, resale, use or misuse of its products. Users should rely on their own judgement to evaluate the suitability of a product for a certain purpose and test each product for its intended application. In case of any potential ambiguities or questions, please don't hesitate to contact us for clarification. Raychem, TE (logo) and Tyco Electronics are trademarks of the Tyco Electronics group of companies and its licensors. Other logos, product and Company names mentioned herein may be trademarks of their respective owners.

**Energy Division – innovative and economical solutions for the electrical power industry: cable accessories, connectors & fittings, insulators & insulation, surge arresters, switching equipment, lighting controls, power measurement and control.**

Tyco Electronics Raychem GmbH  
Energy Division  
Finsinger Feld 1  
85521 Ottobrunn/Munich, Germany

Phone: +49-89-6089-0  
Fax: +49-89-6096345

<http://energy.tycoelectronics.com>



**Tyco Electronics**

Our commitment. Your advantage.